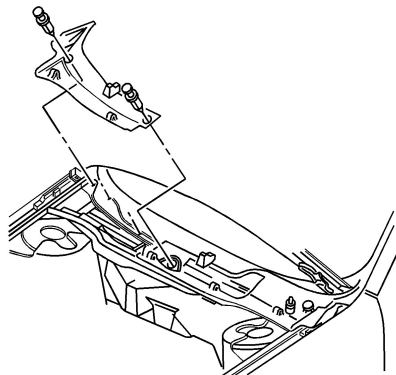


Passenger Compartment Air Filter Replacement

Removal Procedure

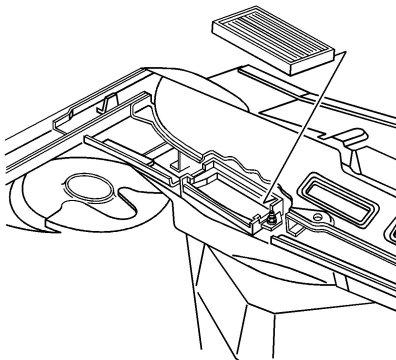
1. Position the windshield wipers in the UP position, by keying the ignition OFF when the wiper reach the desired position.
2. Open the hood.
3. Position aside the rear hood seal halfway to the center. Refer to [Hood Rear Seal Replacement](#) .
4. Remove the washer hose from the right air inlet grill panel and position aside.



5. Remove the 2 push pin retainers from the right air inlet grill panel.

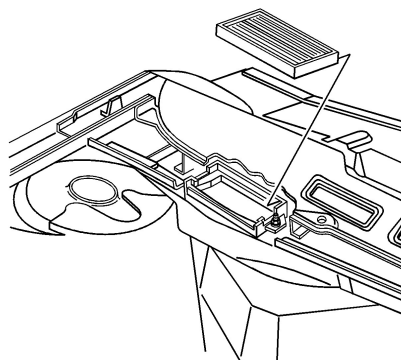
Important: Do not remove the third push pin retainer from the right air inlet grill panel.

6. Position the left side of the right air inlet grill panel on to the windshield.
7. Remove the water deflector cover.

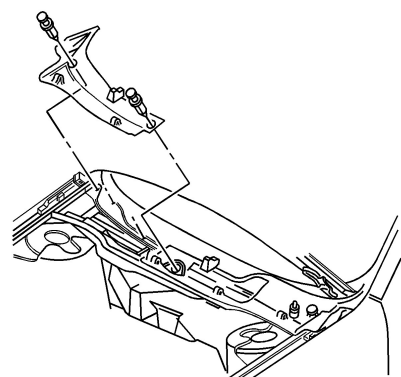


8. Remove the passenger compartment air filter.

Installation Procedure



1. Install the passenger compartment air filter.
2. Install the water deflector cover. Ensure the three tabs of the water deflector engage the rear cowl edge.



3. Install the air inlet grill panel into position.
4. Install the push pin retainers to the air inlet grill panel.
5. Position the washer hose in to the right air inlet grill panel clips.
6. Install the rear hood seal. Refer to [Hood Rear Seal Replacement](#) .
7. Close the hood.
8. Return the windshield wipers to the PARK position.