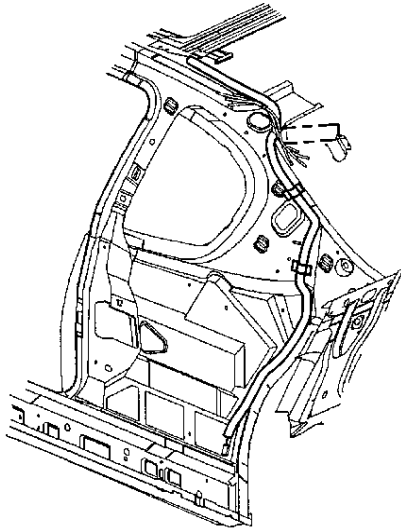
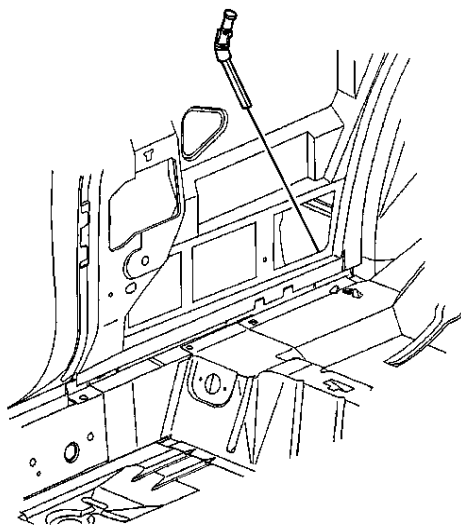


Sunroof Housing Rear Drain Hose Replacement (Monte Carlo)

Removal Procedure

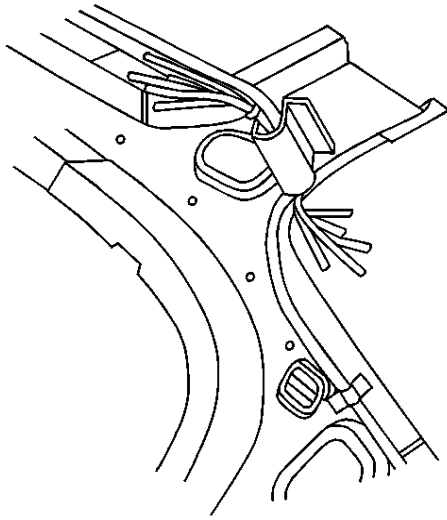


1. Remove the headliner. Refer to [Headlining Trim Panel Replacement](#) .
2. Remove the rear quarter lower trim. Refer to [Quarter Lower Rear Trim Panel Replacement](#) .
3. Remove the tape from rear sunroof drain hose on the rear quarter upper inner panel.
4. Disconnect the rear sunroof drain hose from the sunroof module rear drain tube.



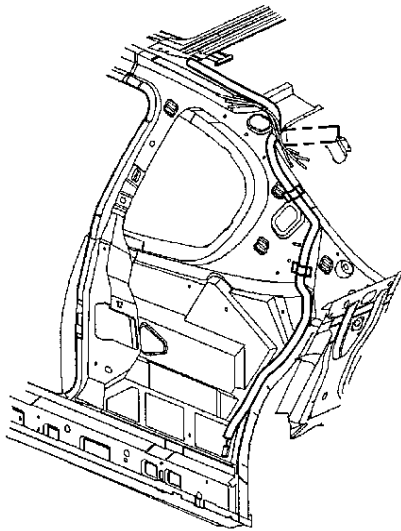
5. Disconnect the rear sunroof drain hose from the rear sunroof drain tube.

© 2022 General Motors Corporation. All rights reserved.

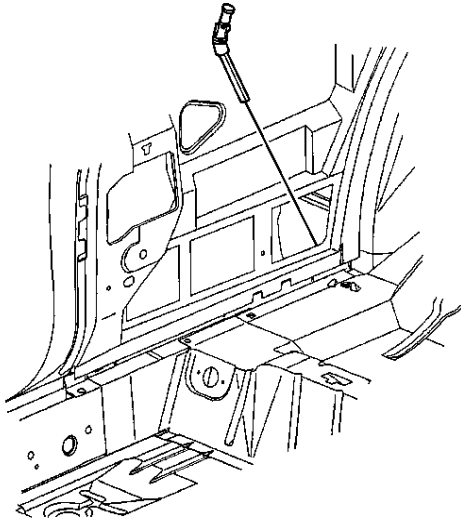


6. Remove the rear sunroof drain hose from the rear quarter upper inner panel.

Installation Procedure



1. Position the rear sunroof drain hose to the rear quarter upper inner panel.
2. Route the rear sunroof drain hose above the rear quarter window, through the drain hose protector, along the rear window frame and down the rear quarter inner panel.
3. Install tape to rear sunroof drain hose on the rear quarter upper inner panel.
4. Connect the rear sunroof drain hose to the sunroof module rear spigot.



5. Connect the rear sunroof drain hose to the rear sunroof drain hose tube.
6. Install the rear lower quarter trim. Refer to [Quarter Lower Rear Trim Panel Replacement](#) .
7. Install the headliner. Refer to [Headlining Trim Panel Replacement](#) .