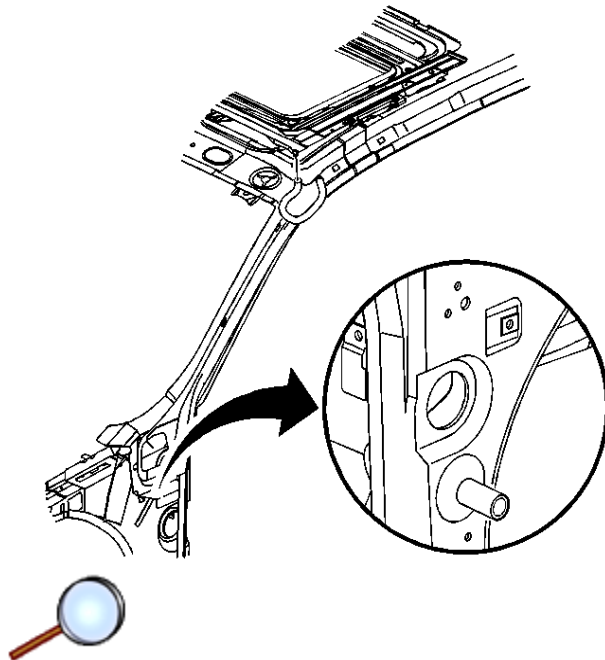


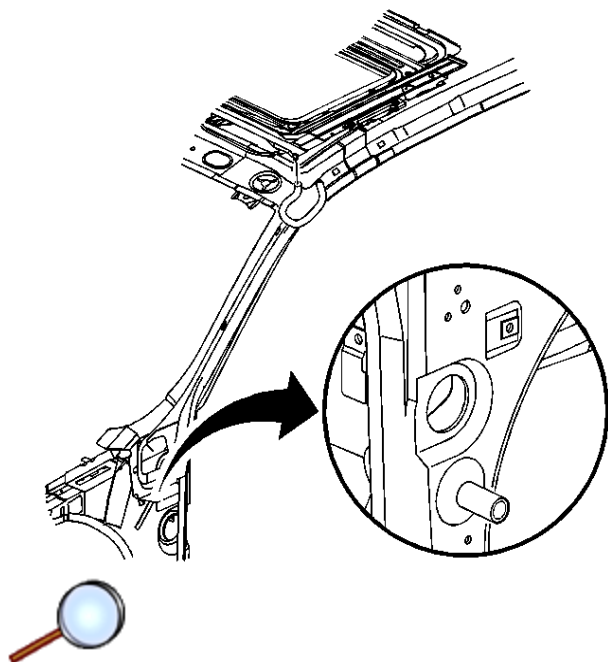
Sunroof Housing Front Drain Hose Replacement (Monte Carlo)

Removal Procedure



1. Remove the front carpet retainer. Refer to [Front Carpet Retainer Replacement](#) .
2. Remove the headliner. Refer to [Headlining Trim Panel Replacement](#) .
3. Pull back the carpet in order to gain access to the access hole in the front pillar.
4. Remove the insulator panel.
5. Disconnect the front sunroof drain hose from the sunroof module front drain tube.
6. Tie a string to the end of the module end of the front sunroof drain hose.
7. Remove the grommet at the end of the front sunroof drain hose from the hole in the front pillar.
8. Remove the front sunroof drain hose from the front pillar, by pulling the hose from the access hole in the front pillar, allowing the string to remain in the pillar.

Installation Procedure



1. Tie the string to the end of the front sunroof drain hose at the sunroof module.
2. Install the front sunroof drain hose, by pulling the string from the front pillar access hole and routing the front sunroof drain hose through the front pillar.
3. Remove the string from the front sunroof drain hose.
4. Install the end of the front sunroof drain hose to the grommet in hole in the front pillar.
5. Connect the front sunroof drain hose to the sunroof module front drain tube.
6. Inspect the front sunroof drain hose for proper installation.
7. Install the insulator panel.
8. Position the carpet back in place.
9. Install the front carpet retainer. Refer to [Front Carpet Retainer Replacement](#) .
10. Install the headliner. Refer to [Headlining Trim Panel Replacement](#) .