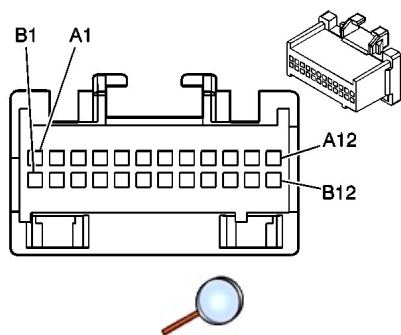


Entertainment Connector End Views

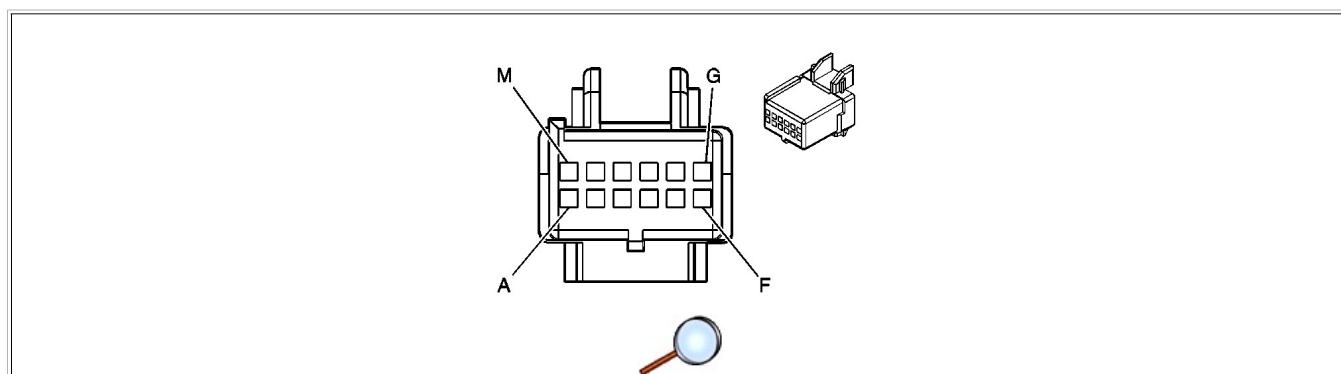
Audio Amplifier, C1



Connector Part Information		<ul style="list-style-type: none"> 12110088 24-Way F Micro-Pack 100 Series (GRY) 	
Pin	Wire Color	Circuit No.	Function
A1	BLK	1051	Ground
A2	--	--	Not Used
A3	ORN	2640	Battery Positive Voltage
A4-A8	--	--	Not Used
A9	LT BLU	115	Right Rear Speaker Output (-)
A10	YEL	116	Left Rear Speaker Output (-)
A11	DK GRN	117	Right Front Speaker Output (-)
A12	GRY	118	Left Front Speaker Output (-)
B1	BLK	1051	Ground
B2	--	--	Not Used
B3	ORN	2640	Battery Positive Voltage
B4	--	--	Not Used
B5	WHT	1487	Antenna Enable Signal
B6-B8	--	--	Not Used
B9	DK BLU	46	Right Rear Speaker Output (+)
B10	BRN	199	Left Rear Speaker Output (+)
B11	LT GRN	200	Right Front Speaker Output (+)

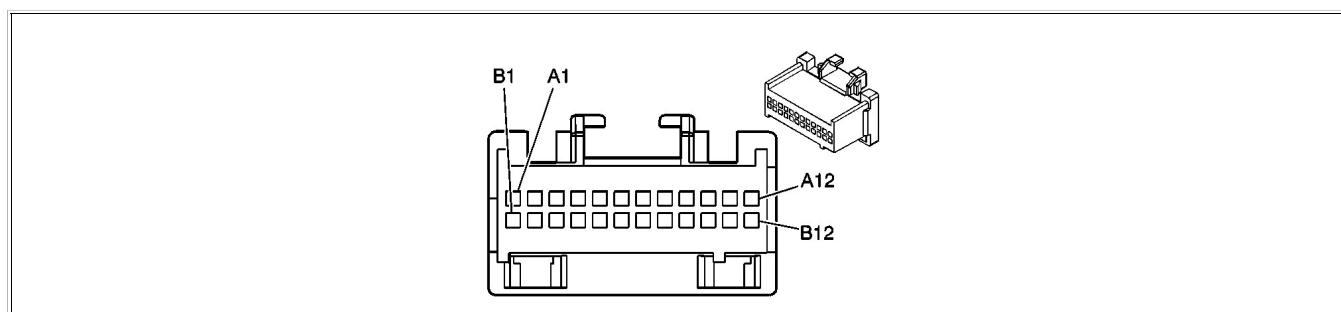
B12	TAN	201	Left Front Speaker Output (+)
-----	-----	-----	-------------------------------

Audio Amplifier, C2



Connector Part Information		<ul style="list-style-type: none"> • 12064799 • 12-Way F Micro-Pack 100 Series (BLK) 	
Pin	Wire Color	Circuit No.	Function
A	PPL	1952	Right Front Tweeter Speaker Output (-)
B	YEL	1956	Left Front Tweeter Speaker Output (-)
C	RED	1955	Right Rear Speaker Output (-)
D	WHT	1959	Left Rear Speaker Output (-)
E	LT BLU/BLK	315	Right Front Speaker Output (-)
F	LT GRN/BLK	1794	Left Front Speaker Output (-)
G	DK BLU/ WHT	346	Left Front Speaker Output (+)
H	DK GRN	1795	Right Front Speaker Output (-)
J	TAN	1859	Left Rear Speaker Output (+)
K	TAN	1855	Right Rear Speaker Output (+)
L	BLK	1856	Left Front Tweeter Speaker Output (+)
M	LT GRN	1852	Right Front Tweeter Speaker Output (+)

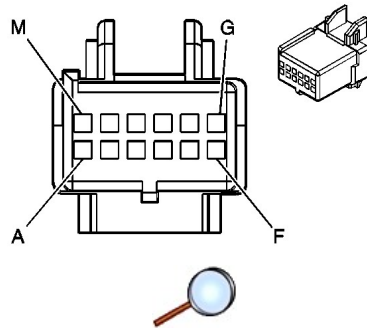
Radio, C1





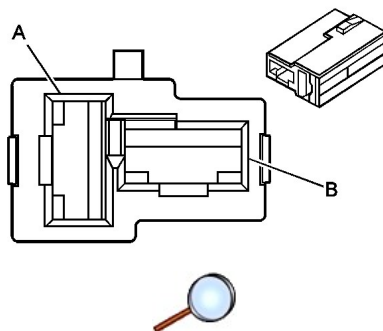
Connector Part Information		<ul style="list-style-type: none"> • 12110088 • 24-Way F Micro-Pack 100 Series (GRY) 	
Pin	Wire Color	Circuit No.	Function
A1	ORN	1044	Radio Class 2 Serial Data
A2-A5	--	--	Not Used
A6	PNK	314	Radio On Signal (w/o 9C1/9C3/9C6)
A7	DK BLU	1796	Steering Wheel Controls Signal (w/o 9C1/9C3/9C6)
A8	TAN	201	Left Front Speaker Output (+)
A9	GRY	118	Left Front Speaker Output (-)
A10	LT BLU	115	Right Rear Speaker Output (-)
A11	DK BLU	46	Right Rear Speaker Output (+)
A12	BLK	1051	Ground
B1	ORN	2640	Battery Positive Voltage
B2	--	--	Not Used
B3	WHT	1487	Antenna Enable Signal
B4	GRY	8	Instrument Panel Lamp Supply Voltage - 1
B5	BLK	1050	Ground
B6	PPL	2232	Amplifier Signal (Monte Carlo)
B7	--	--	Not Used
B8	BRN	199	Left Rear Speaker Output (+)
B9	YEL	116	Left Rear Speaker Output (-)
B10	DK GRN	117	Right Front Speaker Output (-)
B11	LT GRN	200	Right Front Speaker Output (+)
B12	--	--	Not Used

Radio, C2



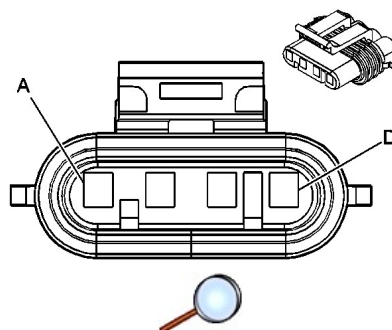
Connector Part Information		<ul style="list-style-type: none"> • 12064799 • 12-Way F Micro-Pack 100 Series (BLK) 	
Pin	Wire Color	Circuit No.	Function
A-K	--	--	Not Used
L	BLK/WHT	372	Remote Radio Audio Output (-)
M	DK GRN/ WHT	368	Remote Radio Right Audio Signal

Radio Antenna Module



Connector Part Information		<ul style="list-style-type: none"> • 15359292 • 2-Way F 58 Series (BLK) 	
Pin	Wire Color	Circuit No.	Function
A	WHT	1487	Antenna Enable Signal
B	DK GRN	1927	Radio Antenna/Rear Window Defog Control Module Supply Voltage

Speaker-LF Door



Connector Part Information		<ul style="list-style-type: none"> • 12186567 • 4-Way F Metri-Pack 150 Series, Sealed (BLK) 	
Pin	Wire Color	Circuit No.	Function
A	GRY	118	Left Front Speaker Output (-)
B	TAN	201	Left Front Speaker Output (+)
C	YEL	1956	Left Front Tweeter Speaker Output (-)
D	BLK	1856	Left Front Tweeter Speaker Output (+)

Speaker-RF Door

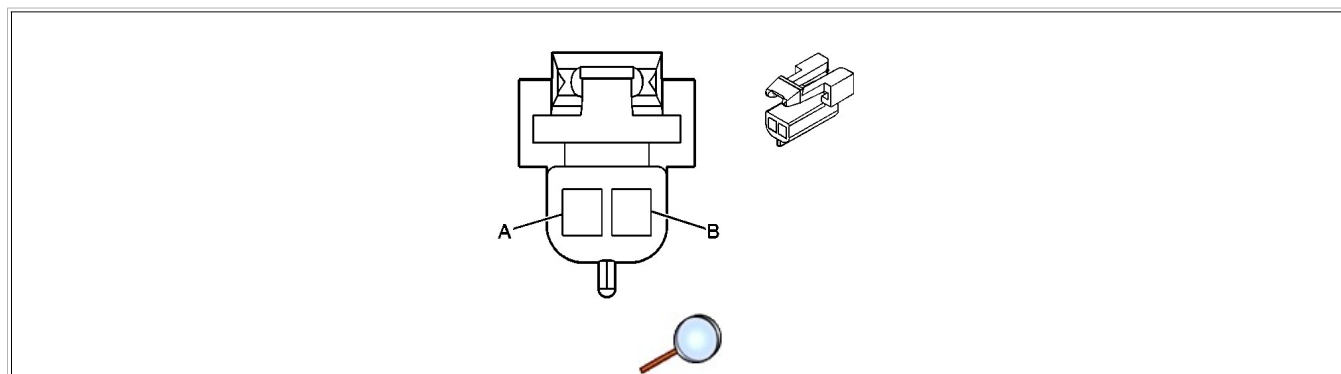
Connector Part Information		<ul style="list-style-type: none"> • 12186567 • 4-Way F Metri-Pack 150 Series, Sealed (BLK) 	
Pin	Wire Color	Circuit No.	Function
A	DK GRN	117	Right Front Speaker Output (-)
B	LT GRN	200	Right Front Speaker Output (+)
C	PPL	1952	Right Front Tweeter Speaker Output (-)
D	LT GRN	1852	Right Front Tweeter Speaker Output (+)

Speaker-LR

Connector Part Information		<ul style="list-style-type: none"> • 12052832 • 2-Way F Metri-Pack 150 Series (BLK) 	
Pin	Wire Color	Circuit No.	Function

A	TAN	1859	Left Rear Speaker Output (+) (UQ3)
	BRN	199	Left Rear Speaker Output (+) (UW6/U62)
B	WHT	1959	Left Rear Speaker Output (-) (UQ3)
	YEL	116	Left Rear Speaker Output (-) (UW6/U62)

Speaker-RR



Connector Part Information		<ul style="list-style-type: none"> • 12052832 • 2-Way F Metri-Pack 150 Series (BLK) 	
Pin	Wire Color	Circuit No.	Function
A	TAN	1855	Right Rear Speaker Output (+) (UQ3)
	DK BLU	46	Right Rear Speaker Output (+) (UW6/U62)
B	RED	1955	Right Rear Speaker Output (-) (UQ3)
	LT BLU	115	Right Rear Speaker Output (-) (UW6/U62)