

## Entertainment Connector End Views

### CD Changer

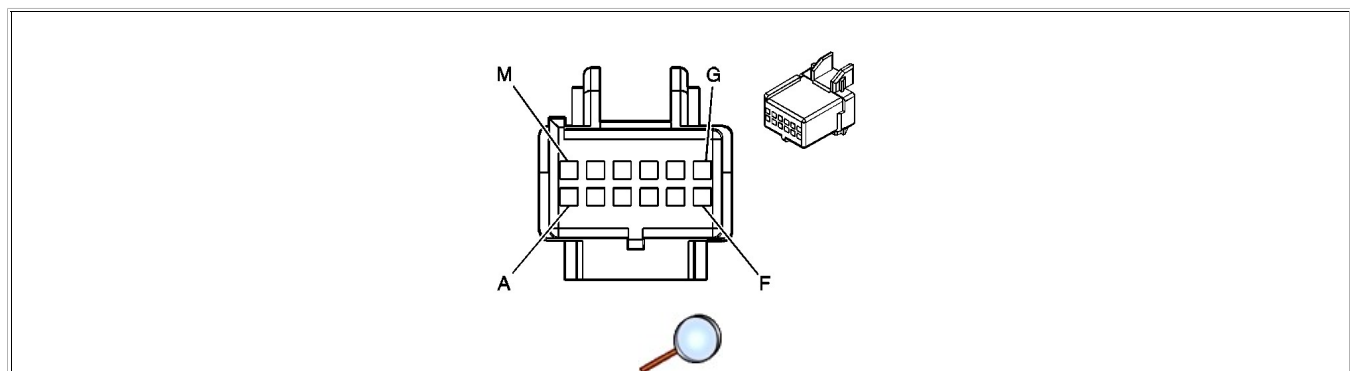
Connector Part Information		<ul style="list-style-type: none"> <li>• 12047531</li> <li>• 10-Way F Micro-Pack 100 (BLK)</li> </ul>	
Pin	Wire Color	Circuit No.	Function
1	ORN/BLK	1406	Tape Player Signal - REMOTE - Left Audio
2	LT GRN	1407	Tape Player Signal - REMOTE - Right Audio
3	LT BLU	1405	Tape Player Signal - REMOTE - Audio Communication
4	BARE	2012	DRAIN Return - Right Front Audio
5	ORN	2640	Fuse Output - BATTERY
6	--	--	Not Used
7	BLK	1051	Radio - Ground
8-9	--	--	Not Used
10	GRY	2289	Serial Data Signal - Class B to Rear HVAC/Radio

### Radio, C1 (2-Door)

Connector Part Information		<ul style="list-style-type: none"> <li>• 12110088</li> <li>• 24 Way F Micro-Pack 100 Series (GRY)</li> </ul>	
Pin	Wire Color	Circuit No.	Function

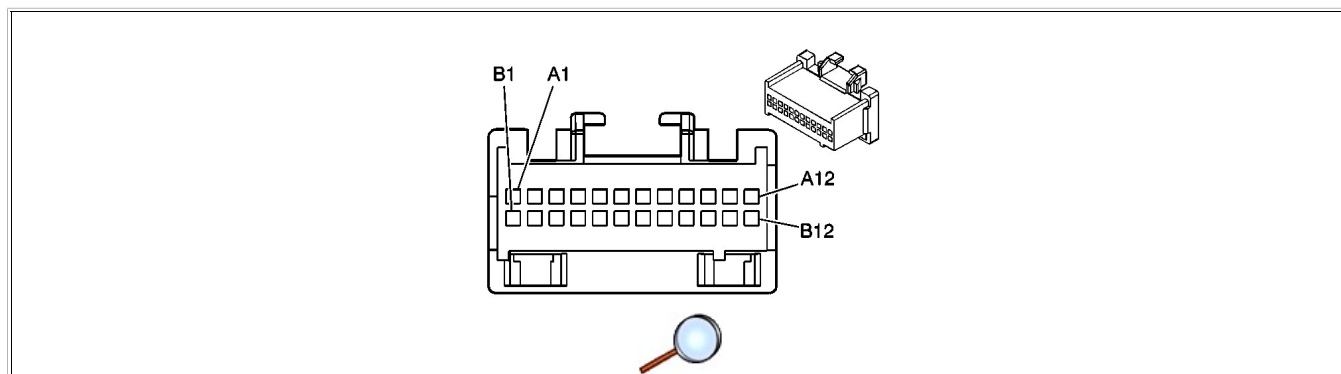
A1	ORN	1044	Serial Data Serial - Class B Radio Control Module
A2-A5	--	--	Not Used
A6	PNK	314	Radio Signal - ON
A7	DK BLU	1796	Radio Control Signal - Steering Column
A8	TAN	201	Speaker Feed - Left Front
A9	GRY	118	Speaker Return-Left Front
A10	LT BLU	115	Speaker Return - Right Rear
A11	DL BLU	46	Speaker Feed- Right Rear
A12	BLK	1051	Ground - Radio
B1	ORN	2540	Fuse Output - BATTERY
B2	--	--	Not Used
B3	WHT	1487	Switch Antenna Enable Output
B4	GRY	8	Instrument Panel Lamp Feed
B5	BLK	1050	Ground
B6	PPL	2232	AMP Sensor
B7	--	--	Not Used
B8	BRN	199	Speaker Feed - Left Rear
B9	YEL	116	Speaker Return - Left Rear
B10	DK GRN	117	Speaker Return - Right Front
B11	LT GRN	200	Speaker Feed - Right Front
B12	--	--	Not Used

#### **Radio, C2 (2-Door)**



Connector Part Information		<ul style="list-style-type: none"> <li>• 12064799</li> <li>• 12 Way F Mirco-Pack 100 Series (BLK)</li> </ul>	
Pin	Wire Color	Circuit No.	Function
A-G	--	--	Not Used
H	LT GRN	1407	Tape Player Signal - Remote - Right Audio
J	ORN/BLK	1406	Tape Player Signal - Remote - Left Audio
K	LT BLU	1405	Tape Player Signal - Remote - Audio Communication
L-M	--	--	Not Used

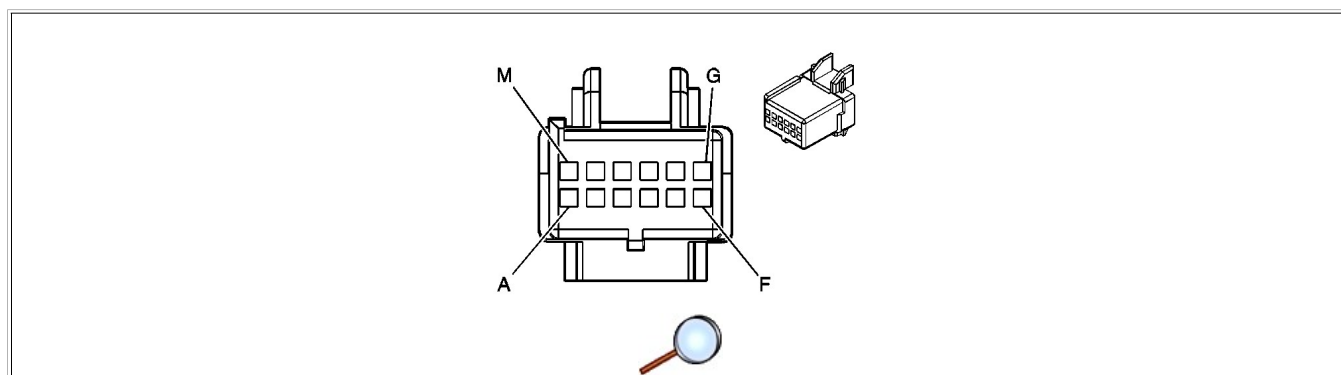
**Radio, C1 (4-Door)**



Connector Part Information		<ul style="list-style-type: none"> <li>• 12110088</li> <li>• 24-Way F Mirco-Pack 100 Series (GRY)</li> </ul>	
Pin	Wire Color	Circuit No.	Function
A1	ORN	1044	Serial Data - Class B to Radio Control Module
A2-A5	--	--	Not Used
A6	PNK	314	Radio Signal - ON
A7	DK BLU	1796	Radio Control Module Signal - Steering Column
A8	TAN	201	Speaker Feed - Left Front
A9	GRY	118	Speaker Return - Left Front
A10	LT BLU	115	Speaker Return - Right Rear
A11	DK BLU	46	Speaker Feed - Right Rear
A12	BLK	1051	Ground - Radio
B1	ORN	2640	Fuse Output - BATTERY
B2	--	--	Not Used
B3	WHT	1487	Switch Antenna Enable Output

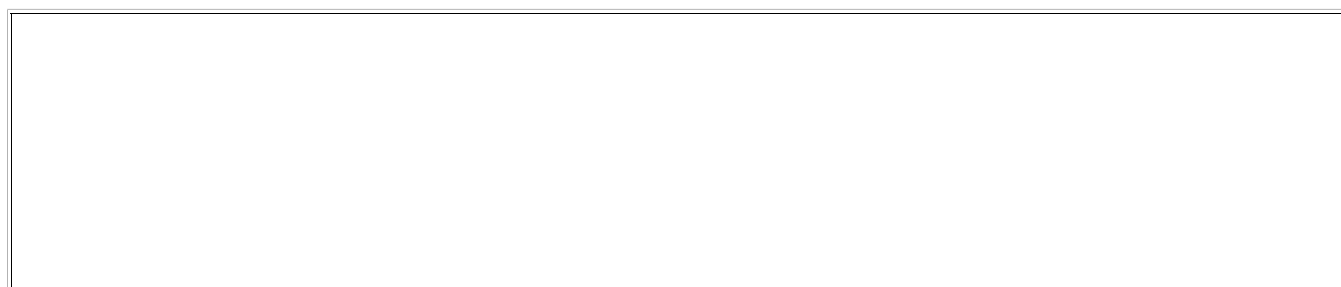
B4	GRY	8	Instrument Panel Lamp Feed
B5	BLK	1050	Ground
B6	PPL	2232	AMP Sensor
B7	--	--	Not Used
B8	BRN	199	Speaker Feed - Left Rear
B9	YEL	116	Speaker Return - Left Rear
B10	DK GRN	117	Speaker Return - Right Front
B11	LT GRN	200	Speaker Feed - Right Front
B12	--	--	Not Used

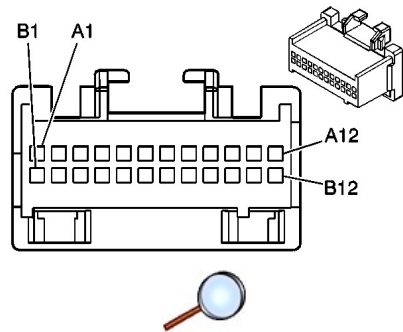
**Radio, C2 (4-Door)**



Connector Part Information		<ul style="list-style-type: none"> <li>• 12064799</li> <li>• 12 Way F Mirco-Pack 100 Series (BLK)</li> </ul>	
Pin	Wire Color	Circuit No.	Function
A-G	--	--	Not Used
H	LT GRN	1407	Tape Player Signal-Remote-Right Audio
J	ORN/BLK	1406	Tape Player Signal-Remote-Left Audio
K	LT BLU	1405	Tape Player Signal-Remote-Audio Communication
L-M	--	--	Not Used

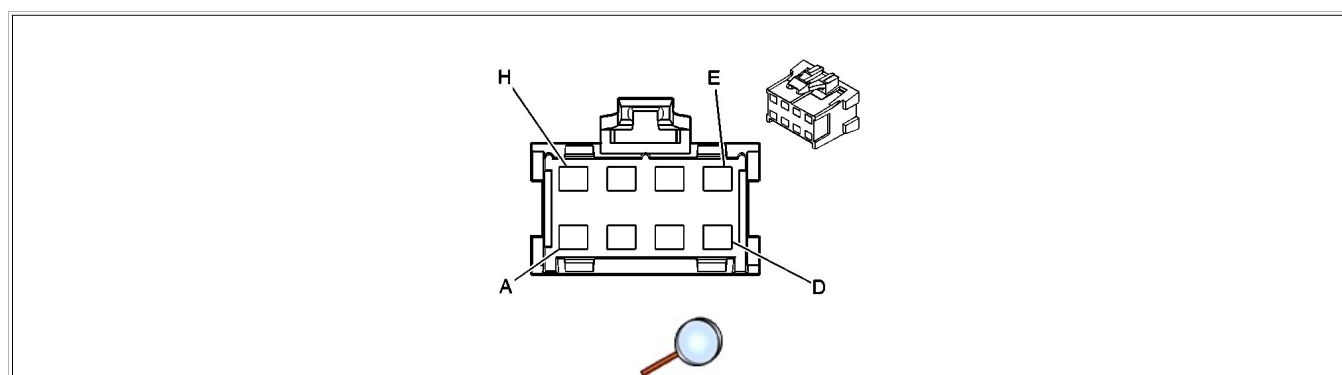
**Radio Amplifier, C1**





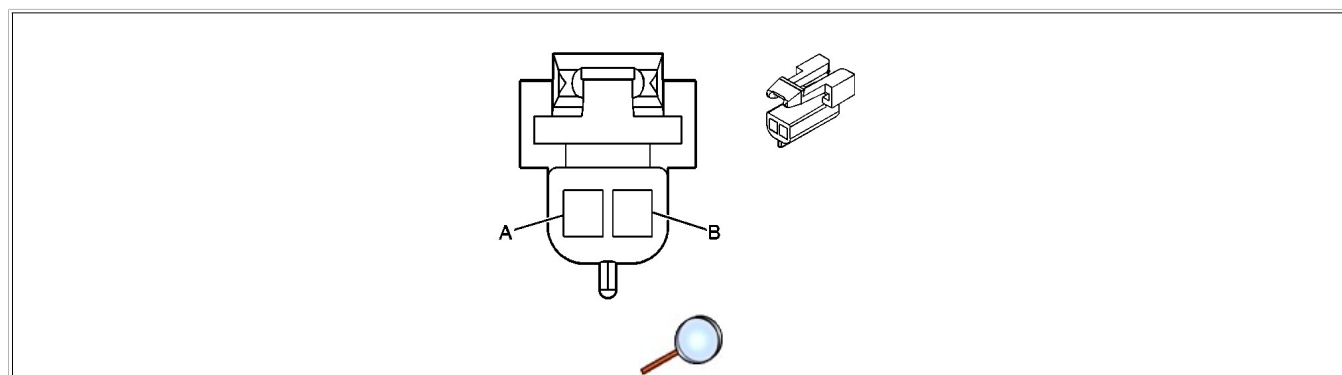
Connector Part Information		<ul style="list-style-type: none"> <li>● 12110088</li> <li>● 24-Way F Micro-Pack 100 Series (GRY)</li> </ul>	
Pin	Wire Color	Circuit No.	Function
A1	LT BLU/BLK	315	Subwoofer Speaker Return - Right
A2	DK GRN/BLK	1795	Subwoofer Speaker Feed - Right
A3	RED	1955	Speaker Return - Right Rear - Midrange
A4	TAN	1885	Speaker Feed - Right Rear - Tweeter
A5	WHT	1487	Switched Antenna Enable Output
A6	PPL	2232	AMP Sensor (RPO U85)
A7-A8	--	--	Not Used
A9	DK GRN	117	Speaker Return - Left Rear
A10	LT GRN	200	Speaker Feed - Right Front
A11	LT BLU	115	Speaker Return - Right Rear
A12	DK BLU	46	Speaker Feed - Right Rear
B1	LT GRN/BLK	1794	Subwoofer Speaker Return - Left or Right
B2	DK BLU/WHT	346	Subwoofer Speaker Feed - Left or Right
B3	WHT	1959	Speaker Return - Left Rear - Midrange
B4	TAN	1859	Speaker Feed - Left Rear - Midrange
B5-B8	--	--	Not Used
B9	GRY	118	Speaker Return - Left Front
B10	TAN	201	Speaker Feed - Left Front
B11	YEL	116	Speaker Return - Left Rear
B12	BRN	199	Speaker Feed - Left Rear

**Radio Amplifier, C2**



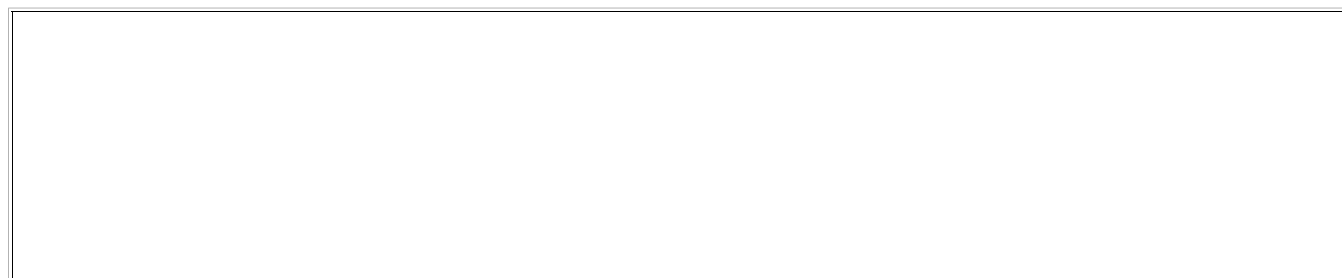
<b>Connector Part Information</b>		<ul style="list-style-type: none"> <li>• 12110626</li> <li>• 8-Way F Metric-Pack 280 Series Flex Lock (GRY)</li> </ul>	
Pin	Wire Color	Circuit No.	Function
A-D	--	--	Not Used
E	ORN	2640	Fuse Output - BATTERY
F	BLK	1051	Ground - Radio
G-H	--	--	Not Used

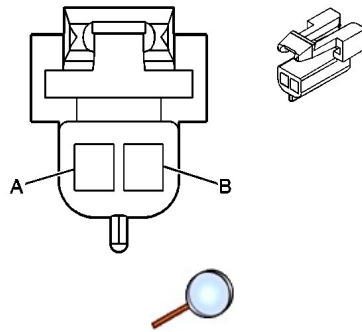
**Radio Speaker, Left Front**



<b>Connector Part Information</b>		<ul style="list-style-type: none"> <li>• 12052832</li> <li>• 2-Way F Metric-Pack Series (BLK)</li> </ul>	
Pin	Wire Color	Circuit No.	Function
A	TAN	201	Speaker Feed - Left Front
B	GRY	118	Speaker Return - Left Front

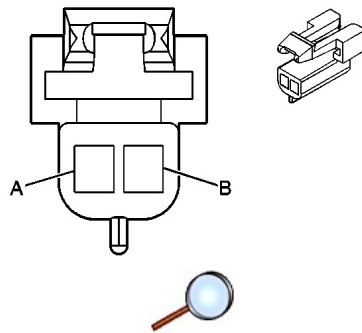
**Radio Speaker, Right Front**





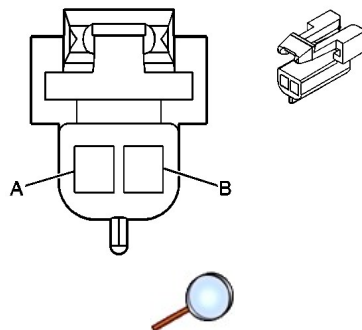
<b>Connector Part Information</b>		<ul style="list-style-type: none"> <li>• 12052832</li> <li>• 2-Way F Metric-Pack 150 Series (BLK)</li> </ul>	
Pin	Wire Color	Circuit No.	Function
A	LT GRN	200	Speaker Feed - Right Front
B	DK GRN	117	Speaker Return - Right Front

**Radio Speaker, Left Rear**



<b>Connector Part Information</b>		<ul style="list-style-type: none"> <li>• 12052832</li> <li>• 2-Way F Metric-Pack 150 Series (BLK)</li> </ul>	
Pin	Wire Color	Circuit No.	Function
A	TAN	1859	Speaker Feed - Left Rear - Midrange (w/ RPO UQ3)
B	WHT	1959	Speaker Return - Left Rear - Midrange (w/ RPO UQ3)

**Radio Speaker, Right Rear**



<b>Connector Part Information</b>		<ul style="list-style-type: none"> <li>• 12052832</li> <li>• 2-Way F Metric-Pack 150 Series (BLK)</li> </ul>	
-----------------------------------	--	--	--

<b>Pin</b>	<b>Wire Color</b>	<b>Circuit No.</b>	<b>Function</b>
A	TAN	1855	Speaker Feed - Right Rear - Midrange (w/ RPO UQ3)
B	RED	1955	Speaker Return - Right Rear - Midrange (w/ RPO UQ3)