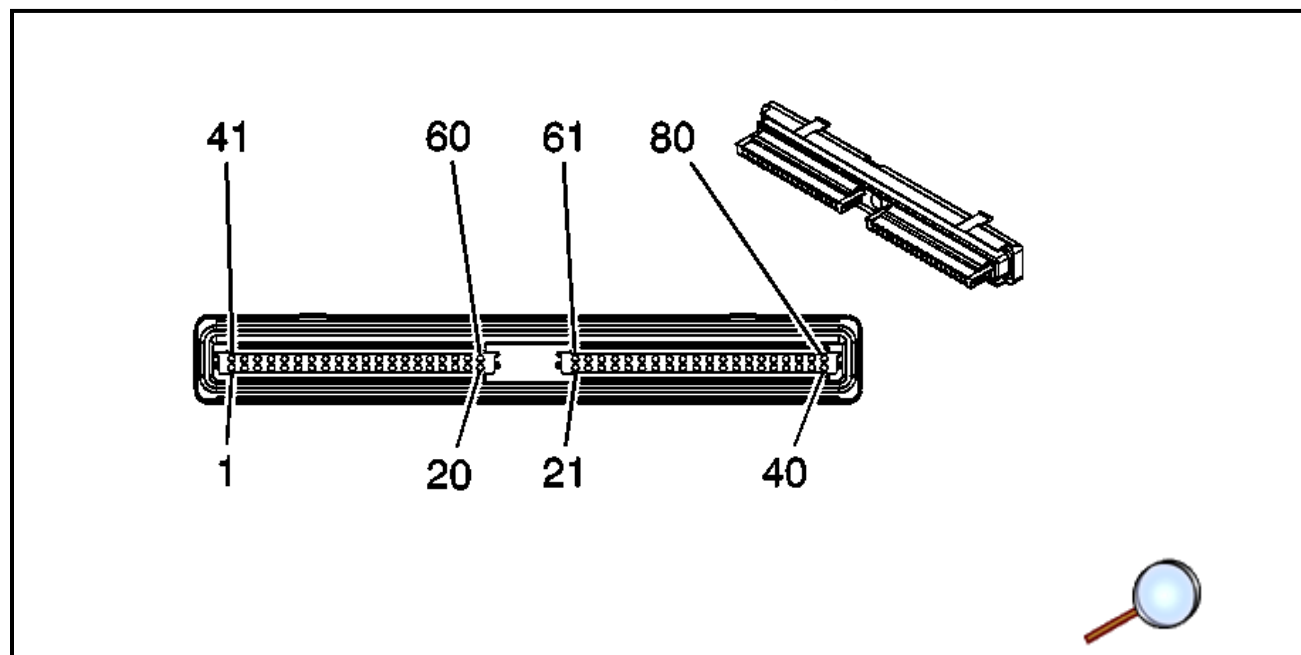


Powertrain Control Module Connector End Views

Table 1: [Powertrain Control Module, C1](#)

Table 2: [Powertrain Control Module, C2](#)

Powertrain Control Module, C1



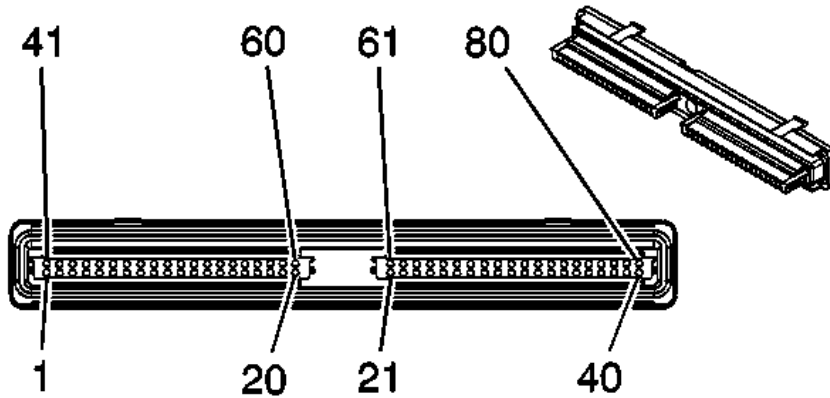
Connector Part Information		<ul style="list-style-type: none"> • 12191110 • 80-Way F Micro-Pack 100W Series Sealed (BLU) 	
Pin	Wire Color	Circuit No.	Function
1	BLK	2762	Low Reference
2-3	—	—	Not Used
4	LT GRN	1222	1-2 Shift Solenoid Valve Control
5	DK BLU	473	High Speed Cooling Fan Relay Control
6	DK GRN	335	Low Speed Cooling Fan Relay Control
7	BLK	630	Camshaft Position Signal
8	PPL/WHT	430	Low Resolution Engine Speed Signal
9	LT BLU/BLK	647	Medium Resolution Engine Speed Signal
10	GRY	2704	5-Volt Reference

11	—	—	Not Used
12	BLK	808	Low Reference
13	ORN/BLK	469	Low Reference
14-15	—	—	Not Used
16	BLK/WHT	451	Ground
17	BLK	2760	Low Reference
18	—	—	Not Used
19	PPL	1500	Ignition 0 Voltage
20	ORN	1740	Battery Positive Voltage
21-27	—	—	Not Used
28	BLK	808	Low Reference
29	BLK	808	Low Reference
30	PPL	420	TCC Brake Switch Signal
31	BLK	2753	Low Reference
32	GRY/BLK	435	EGR Solenoid Low Control
33	DK BLU	496	KS 1 Signal
34	LT BLU	1876	KS 2 Signal
35-37	—	—	Not Used
38	LT GRN/WHT	1749	IAC Coil B High Control
39-42	—	—	Not Used
43	YEL/BLK	846	Fuel Injector 6 Control
44	YEL/BLK	1223	2-3 Shift Solenoid Valve Control
45	—	—	Not Used
46	LT BLU/BLK	844	Fuel Injector 4 Control
47	BLK/WHT	845	Fuel Injector 5 Control

48	RED/BLK	453	Low Reference
49-52	—	—	Not Used
53	TAN/BLK	424	IC Timing Signal
54	WHT	423	IC Timing Control
55	DK GRN	389	Vehicle Speed Signal
56	BLK/WHT	451	Ground
57	BLK/WHT	451	Ground
58	—	—	Not Used
59	DK GRN	1049	PCM Class 2 Serial Data
60	BLK/WHT	451	Ground
61	BLK	2752	Low Reference
62	DK BLU/WHT	1231	AT ISS Low Signal
63	RED/BLK	1230	AT ISS High Signal
64	YEL	400	VSS High Signal
65	PPL	401	VSS Low Signal
66-67	—	—	Not Used
68	YEL	772	Transmission Range Switch Signal B
69	YEL	492	MAF Sensor Signal
70	—	—	Not Used
71	ORN/BLK	463	Requested Torque Signal (JL9)
72	DK GRN	83	Cruise Control Inhibit Signal
73	LT GRN/BLK	1745	Fuel Injector 2 Control
74-75	—	—	Not Used
76	DK GRN/WHT	428	EVAP Canister Purge Solenoid Control
77-78	—	—	Not Used

79	BLK	1744	Fuel Injector 1 Control
80	BLK	2751	Low Reference

Powertrain Control Module, C2



Connector Part Information

- 12191110
- 80 Way F Micro-Pack 100W Series Sealed (CLR)

Pin	Wire Color	Circuit No.	Function
1	—	—	Not Used
2	WHT	1310	EVAP Canister Vent Solenoid Control
3	DK GRN/WHT	465	Fuel Pump Relay Control
4	RED	1676	EGR Solenoid High Control
5	BRN/WHT	419	MIL Control
6	—	—	Not Used
7	LT BLU/WHT	1747	IAC Coil A High Control
8	—	—	Not Used
9	TAN/BLK	464	Delivered Torque Signal (JL9)
10	PPL	412	HO2S High Signal-Sensor 1

11	PPL/WHT	1668	HO2S High Signal-Sensor 2
12-15	—	—	Not Used
16	WHT	776	Transmission Range Switch Signal P
17	—	—	Not Used
18	BLK/WHT	771	Transmission Range Switch Signal A
19	TAN/BLK	231	Oil Pressure Switch Signal
20-22	—	—	Not Used
23	PPL	806	Crank Voltage
24	PNK	239	Ignition 1 Voltage
25	LT GRN	432	MAP Sensor Signal
26	YEL	410	ECT Sensor Signal
27	RED/BLK	380	A/C Refrigerant Pressure Sensor Signal
28	BRN	1456	EGR Valve Position Signal
29	—	—	Not Used
30	GRY	2702	5-Volt Reference
31	—	—	Not Used
32	GRY	2709	5-Volt Reference
33	GRY	2701	5-Volt Reference
34	GRY	2700	5-Volt Reference
35	BLK	808	Low Reference
36	—	—	Not Used
37	BLK/WHT	3113	HO2S Heater Low Control-Sensor 1
38	—	—	Not Used
39	DK GRN/WHT	459	A/C Compressor Clutch Relay Control
40-41	—	—	Not Used

42	PNK/BLK	1746	Fuel Injector 3 Control
43	—	—	Not Used
44	LT BLU/BLK	1748	IAC Coil A Low Control
45	RED/BLK	1228	PC Solenoid Valve High Control
46	LT BLU/WHT	1229	PC Solenoid Valve Low Control
47	—	—	Not Used
48	BRN	3122	HO2S Heater Low Control-Sensor 2
49	LT GRN/BLK	444	IAC Coil B Low Control
50	TAN	472	IAT Sensor Signal
51-54	—	—	Not Used
55	DK GRN	890	Fuel Tank Pressure Sensor Signal
56	GRY	773	Transmission Range Switch Signal C
57	—	—	Not Used
58	BRN	1174	Oil Level Switch Signal
59	WHT	85	Cruise Control Engaged Signal
60	—	—	Not Used
61	RED	225	Generator Turn On Signal
62	—	—	Not Used
63	YEL	657	TCC Release Switch Signal
64-65	—	—	Not Used
66	DK BLU	417	TP Sensor Signal
67	—	—	Not Used
68	YEL/BLK	1227	TFT Sensor Signal
69	PPL	1589	Fuel Level Sensor Signal
70-75	—	—	Not Used

76	YEL/BLK	625	Starter Enable Relay Control
77	GRY	1724	Boost Control Solenoid Control (L67)
78	BRN	418	TCC PWM Solenoid Valve Control
79-80	—	—	Not Used